

Tepelné čerpadlo Monoblok / Kúrenie & Chladienie & TUV / DC Inverter / Riešenie pre rodinné domy



Tepelné čerpadlo
Kúrenie-chladienie-TUV

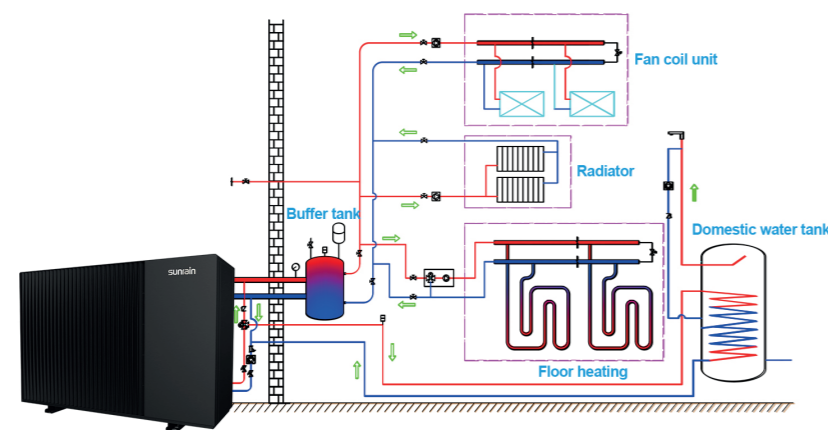


Funkcie:

- R290 chladivo, nízke GWP(GWP=3)
- Energetická trieda: A+++
- Kúrenie - Chladienie - TUV
- Plne jednosmerný inverterový kompresor a motor ventilátora
- Stabilný beh aj pri -30°C
- WIFI inteligentné ovládanie
- Teplota výstupnej vody až do 75°C



Aplikácia



Tepelné čerpadlo
Kúrenie-chladienie-TUV

Technické údaje

Model			BLN-006TC1	BLN-012TC1	BLN-012TC3	BLN-018TC1	BLN-018TC3
Power supply		V/Ph/Hz	220~240/1/50	220~240/1/50	380~415/3/50	220~240/1/50	380~415/3/50
Nominal Heating (Max) (A7/6°C,W30/35°C)	Heating Capacity	kW	3.0~9.1	5.5~15.1	5.5~15.1	7.5~22.1	7.5~22.1
	Power Input	kW	0.65~2.29	1.08~3.9	1.08~3.9	1.5~6.8	1.5~6.8
	Current Input	W/W	2.8~9.1	4.5~17.0	1.8~6.9	6.9~31.1	2.7~12.3
Nominal Heating (Max) (A7/6°C,W47/55°C)	Heating Capacity	kW	2.85~8.50	5.0~13	5.0~13	7.0~18.9	7.0~18.9
	Power Input	kW	0.95~2.85	1.75~4.96	1.75~4.96	2.15~7.35	2.15~7.35
	Current Input	W/W	2.9~9.2	4.6~17.1	1.9~7.0	7.0~31.3	2.8~12.4
Nominal Cooling (Max) (A35/24°C,W12/7°C)	Cooling Capacity	kW	1.25~5.8	3.65~10.2	3.65~10.2	4.5~17.7	4.5~17.7
	Power Input	kW	0.65~2.35	1.12~4.16	1.12~4.16	1.80~7.30	1.80~7.30
	Current Input	W/W	2.9~10.4	4.8~17.3	2.0~7.8	7.8~32.4	3.3~12.9
ERP Level (Outlet water temp. at 35°C)		/	A+++	A+++	A+++	A+++	A+++
MAX. input power		kW	3.00	5.50	5.50	7.50	9.00
MAX. input current		A	13.50	24.50	10.50	35.00	16.00
Refrigerant		/	R290	R290	R290	R290	R290
Rated water flow		m³/h	1.00	1.80	1.80	3.00	3.00
Fan quantity		/	1	1	1	2	2
Fan motor type		/			DC inverter		
Compressor		/			DC inverter		
Circulating pump		/			Inverter type / Built-in		
IP Class		/			IPX4		
Sound pressure at 1m distance		dB(A)	42	44	44	48	48
Max outlet water temperature		°C	75	75	75	75	75
Water piping connections		/	DN 25 (1")	DN 25 (1")	DN 25 (1")	DN 32 (1-1/4")	DN 32 (1-1/4")
Water Pressure drop(max)		kPa	20	25	25	60	60
Operating temperature range (Heating mode)		°C			-30~45		
Operating temperature range (Cooling mode)		°C			16~45		
Unpacked Dimensions (L×D×H)		mm	1150×410×800	1285×455×930	1285×455×930	1285×455×1350	1285×455×1350
Packed Dimensions (L×D×H)		mm	1300×485×950	1450×530×1050	1450×530×1050	1450×530×1450	1450×530×1450
UnPacked Weight		kg	90	110	110	145	145
Packed Weight		kg	115	125	125	160	160